

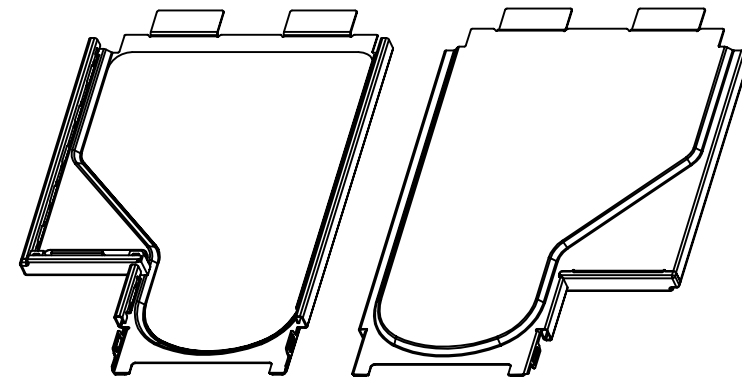
1

2

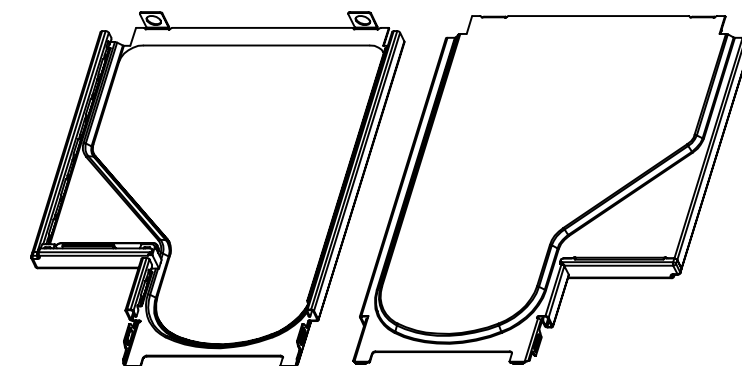
3

4

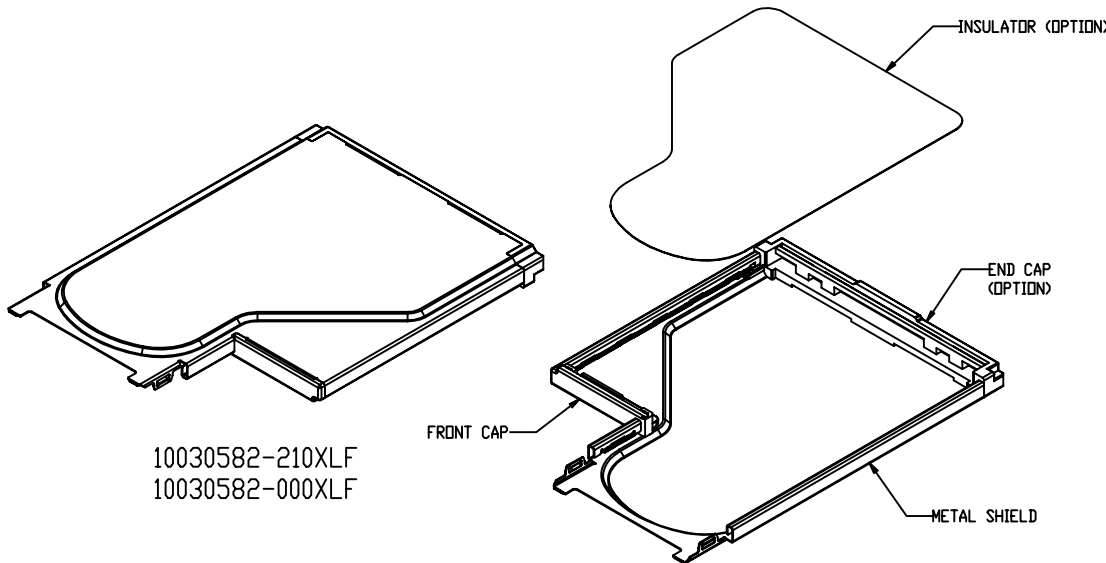
PRODUCT NO.	FRONT CAP	END CAP	INSULATOR	REMARK
10030582-2100LF	10030583-210	10030592-210	NO	
10030582-2101LF	10030583-210	10030592-210	YES	
10030582-0000LF	10030583-210	NO	NO	SEE NOTE 5
10030582-0001LF	10030583-210	NO	YES	SEE NOTE 5
10030582-0010LF	10030583-210	NO	NO	
10030582-0011LF	10030583-210	NO	YES (STANDARD)	
10030582-0012LF	10030583-210	NO	YES (SPECIAL)	
10030582-0020LF	10030583-210	NO	NO	
10030582-0021LF	10030583-210	NO	YES	



10030582-001XLF



10030582-002XLF



10030582-210XLF
10030582-000XLF

NOTES:

- THIS PRODUCT CONTAINS ONE METAL SHIELD, PLASTIC FRONT CAP, INSULATOR AND ONE PLASTIC END CAP.
- PRODUCT PERFORMANCE PER SPEC. GS-12-292.
- PART NUMBER SCHEME:

10030582- X X X X L F

INSULATOR:
 0: NO
 1: STANDARD
 2: SPECIAL

0: STANDARD SHIELD
 1: EXTENDED SHIELD
 2: CUSTOMIZED

PLASTIC COLOR
 0: W/D END CAP
 1: BLACK

OFFSET (END CAP)
 0: W/D END CAP
 1: +0.00 (NOT TOOLED)
 2: +0.30
 3: +0.60 (NOT TOOLED)

rev	ecn no	dr	date
A	T04-0382	D T	2004-11-04
B	T05-0083	D T	2005-04-18
C	T05-0152	D T	2005-07-11
D	T05-0228	D T	2005-10-18
E	T06-0015	D T	2006-01-16
F	T06-0057	D T	2006-04-17
G	N07-0094	HB	2007-04-10

www.fciconnect.com			surface	tolerance std	projection	MM
			TOLERANCES UNLESS OTHERWISE SPECIFIED			
Dr	DAVID TENG	2004-10-04	ANGULAR	0.X	±0.30	Scale 1.000
Eng	DAVID TENG	2004-10-04	LINEAR	0.XX	±0.15	
Chr	PAUL WANG	2004-10-04	0° ±2°	0.XXX	±0.08	ECN
Appr	JOSEPH HSIA	2004-10-04	Product family		Spec ref	
FCI			title		Rev.	
			BOTTOM SHIELD SUB-ASSEMBLY		J	
			EXPRESSCARD/54 MODULE CARD KIT		10030582	
			catalog no		sheet 1 of 5	
			10030582		CUSTOMER	

- PACKAGING SPEC. PER GS-14-927.
- THE P/N IS TEMPORARY FOR CUSTOMER SPECIAL REQUEST. STANDARD SHIELD MATING WITH END CAP IS THE RECOMMENDED PARTS.
- THIS PRODUCT IS RoHS COMPLIANT, AND MEETS EUROPEAN UNION DIRECTIVES AND OTHER COUNTRY REGULATIONS AS PER GS-22-008.

2

3 PDM: Rev:J

STATUS: Released

4 Printed: Jan 22, 2008

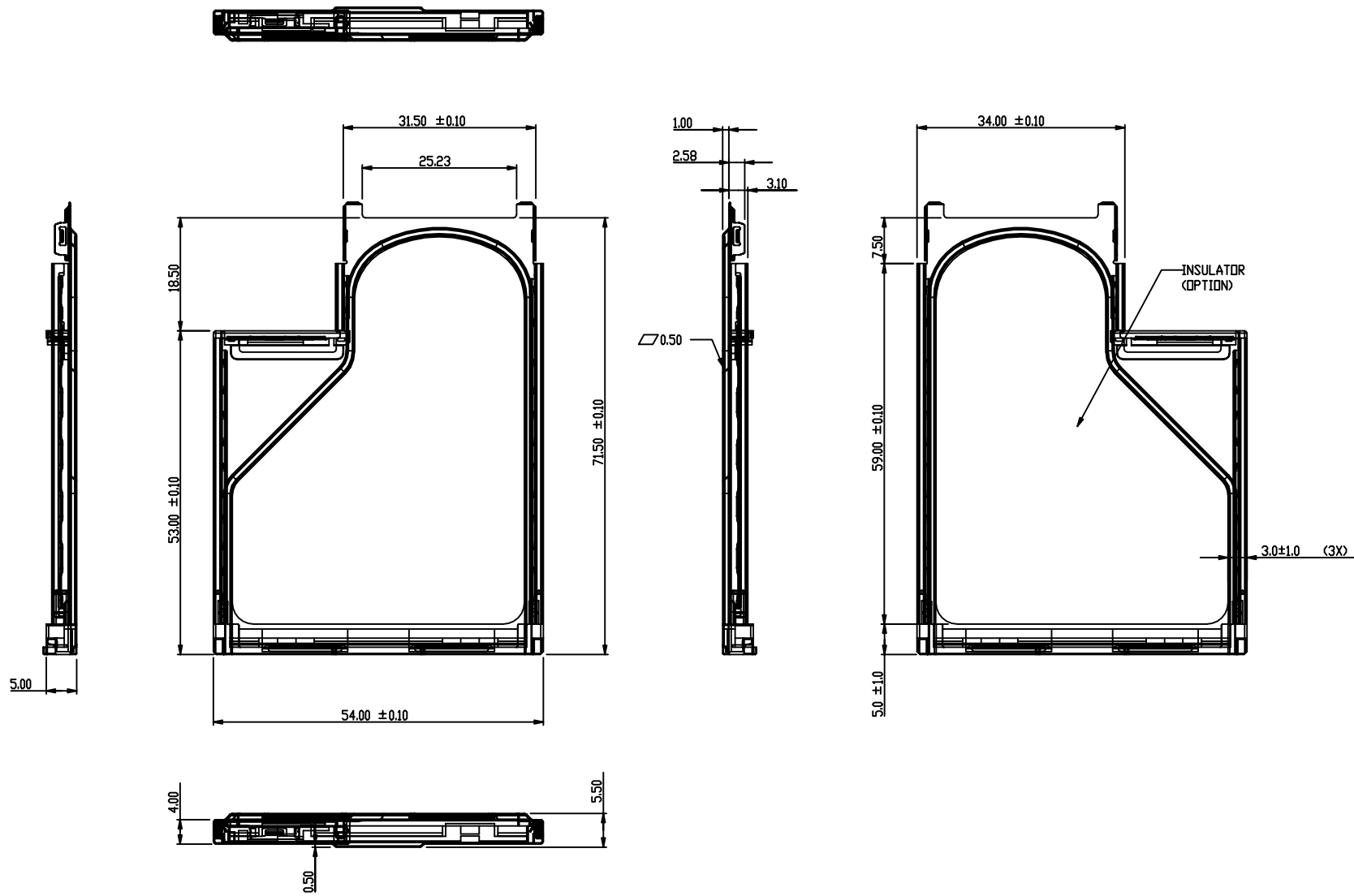


Copyright FCI.

PRODUCT NO.
10030582-210XLF



Copyright FCI.



TOLERANCES UNLESS OTHERWISE SPECIFIED		
LINEAR	0.X	±0.30
	0.XX	±0.15
	0.XXX	±0.08
ANGULAR	0°	±2°

	title BOTTOM SHIELD SUB-ASSEMBLY EXPRESSCARD/54 MODULE CARD KIT	dwg no 10030582	Rev. J
	catalog no 10030582	CUSTOMER	sheet 2 of 5

REV F - 2006-04-17

PRODUCT NO.
10030582-001XLF

A

B

C

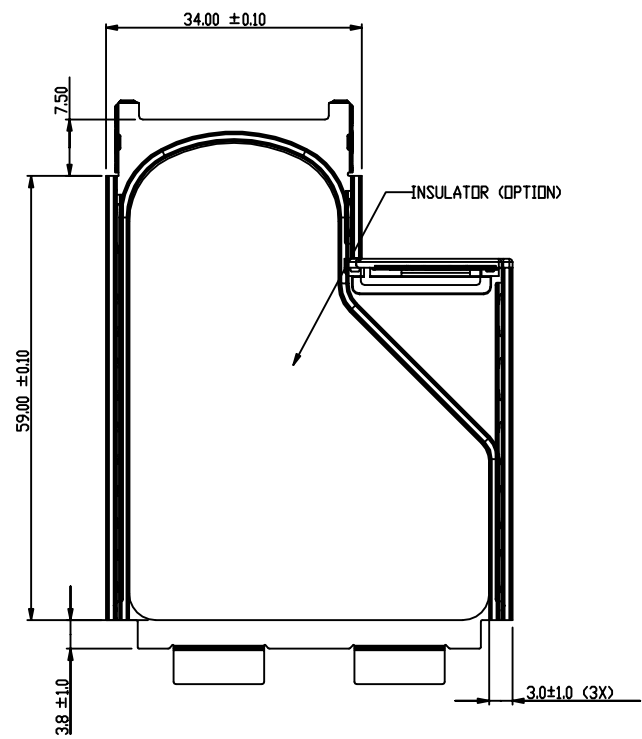
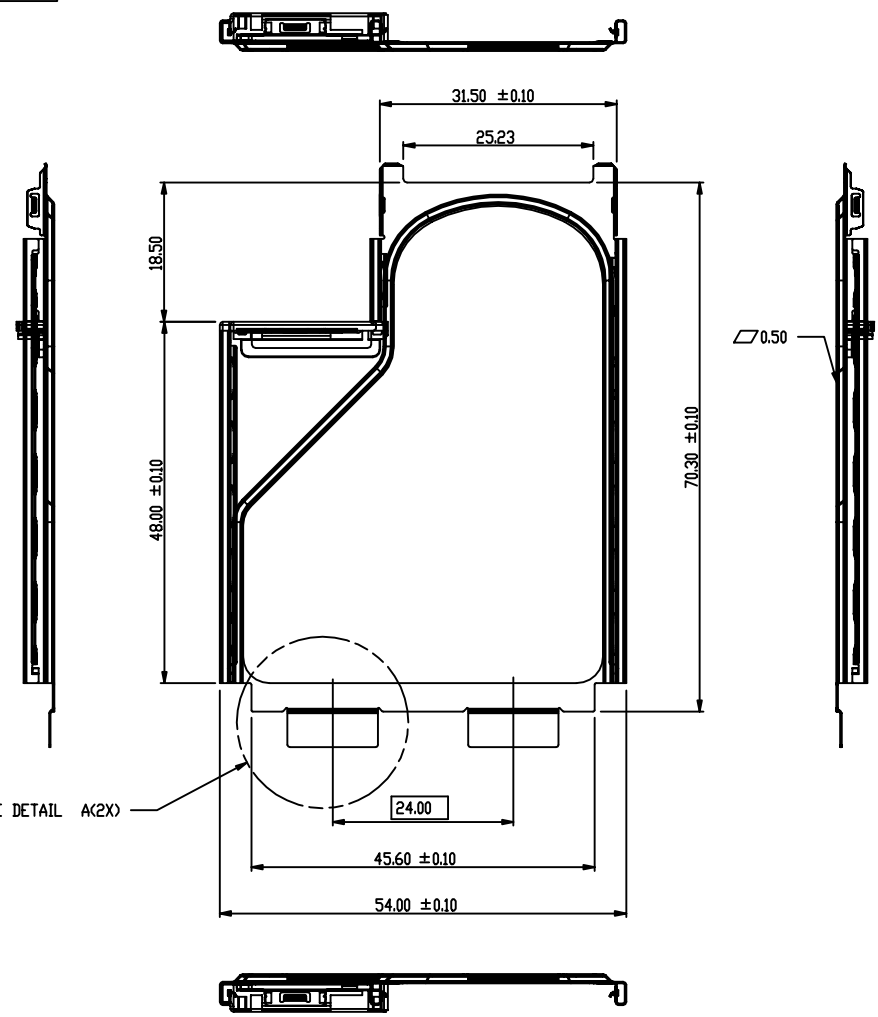
D

1

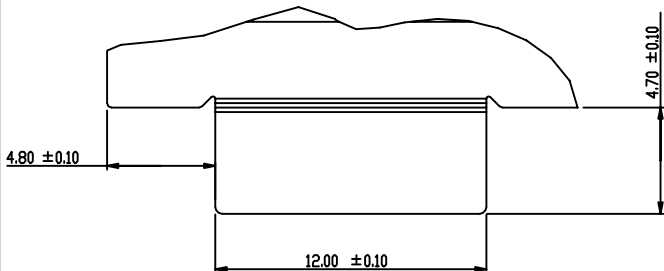
2

3

4



Copyright FCI.



DETAIL A
SCALE 3.000

TOLERANCES UNLESS OTHERWISE SPECIFIED		
LINEAR	0.X	±0.30
	0.XX	±0.15
	0.XXX	±0.08
ANGULAR	0°	±2°

	title BOTTOM SHIELD SUB-ASSEMBLY EXPRESSCARD/54 MODULE CARD KIT	dwg no 10030582	Rev. J
	catalog no 10030582	CUSTOMER	sheet 3 of 5

REV F - 2006-04-17

1

2

3 PDM: Rev:J

STATUS:Released

4 Printed: Jan 22, 2008

1

2

3

4

PRODUCT NO.
10030582-0012LF

A

B

C

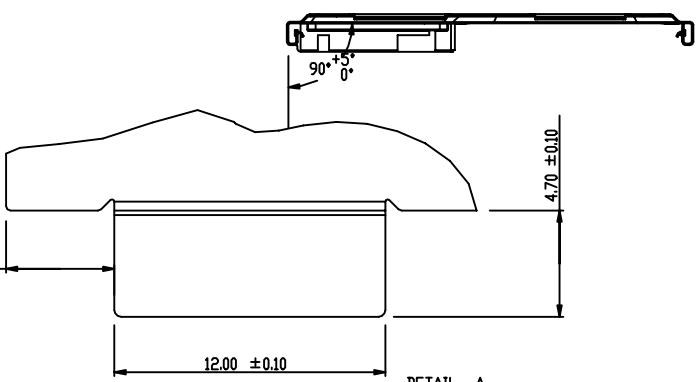
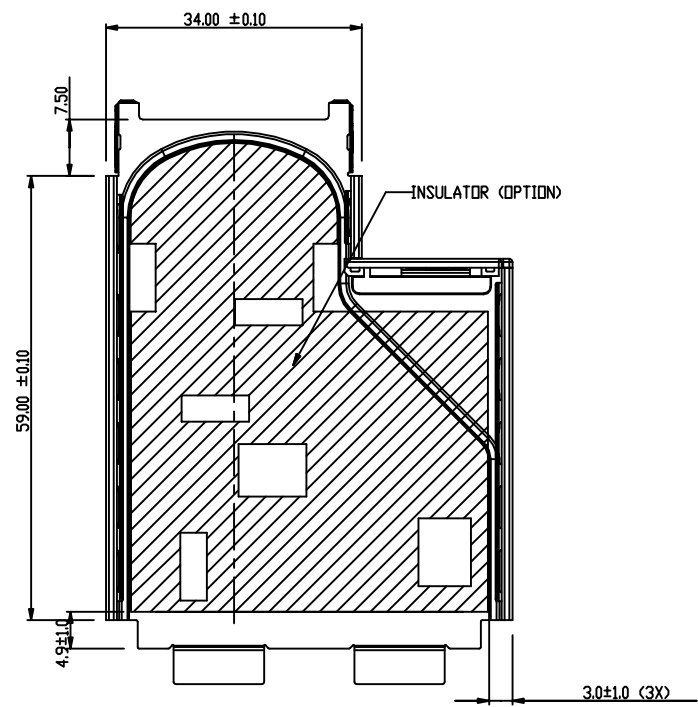
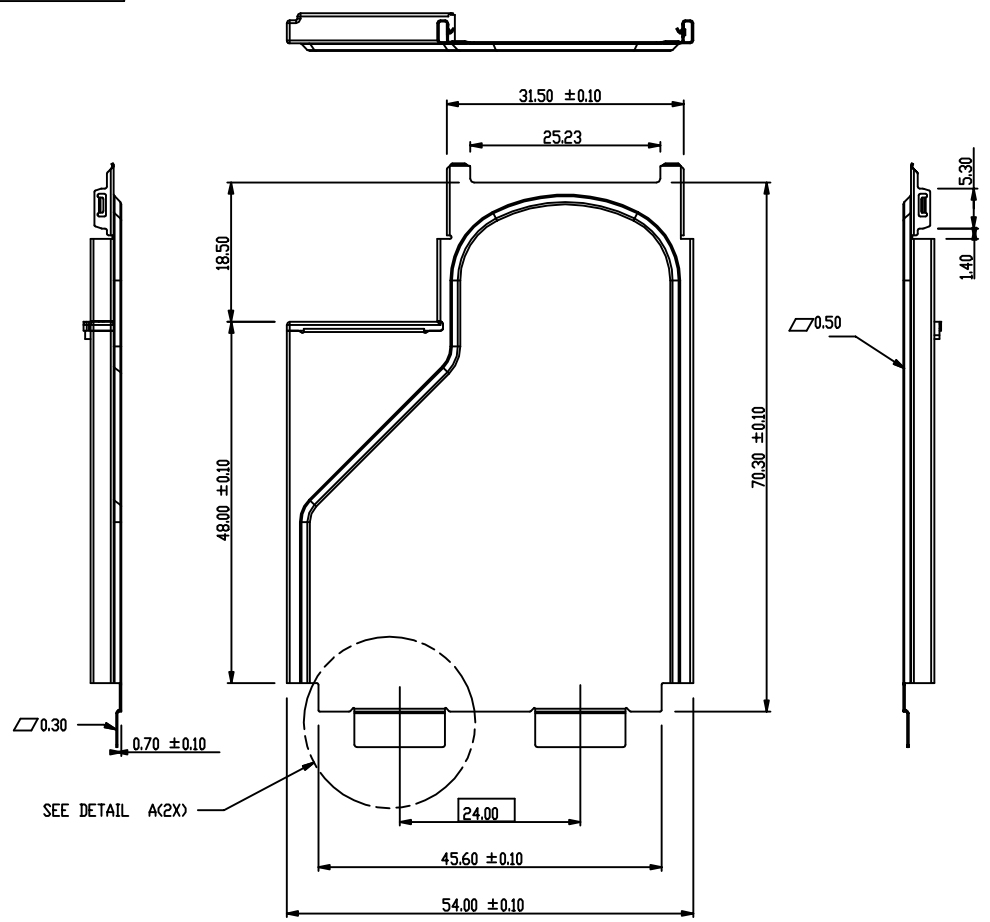
D

A

B

C

D



Copyright FCI.

TOLERANCES UNLESS OTHERWISE SPECIFIED		
LINEAR	0.X	±0.30
	0.XX	±0.15
	0.XXX	±0.08
ANGULAR	0°	±2°



title BOTTOM SHIELD SUB-ASSEMBLY
EXPRESSCARD/54 MODULE CARD KIT

dwg no 10030582
Rev. H
catalog no 10030582
CUSTOMER sheet 4 of 5

REV F - 2006-04-17

1

2

3 PDM: Rev:J

STATUS:Released

4 Printed: Jan 22, 2008

1

2

3

4

PRODUCT NO.
10030582-002XLF

A

B

C

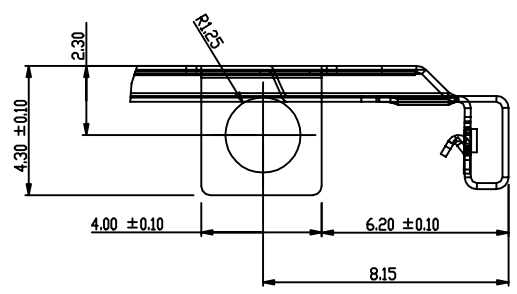
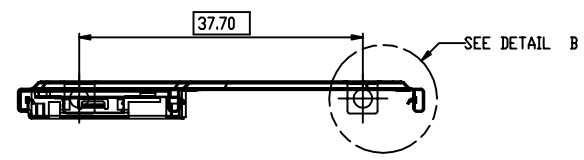
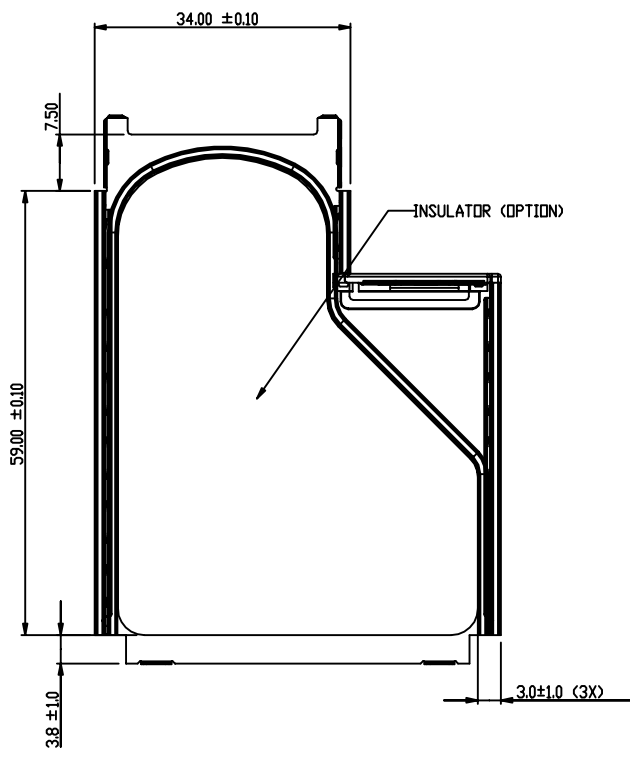
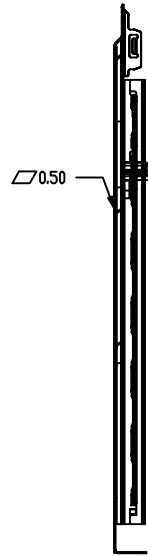
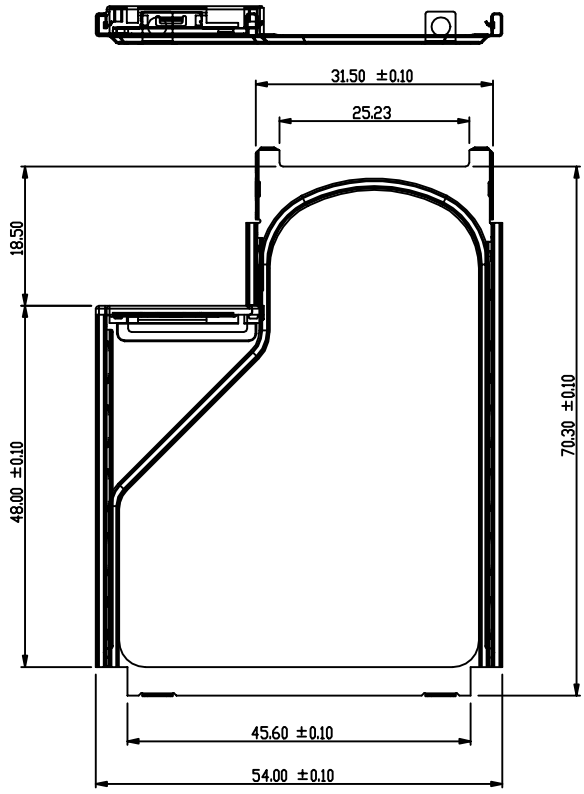
D

A

B

C

D



DETAIL B
SCALE 4.000

TOLERANCES UNLESS OTHERWISE SPECIFIED		
LINEAR	0.X	±0.30
	0.XX	±0.15
	0.XXX	±0.08
ANGULAR	0°	±2°



title BOTTOM SHIELD SUB-ASSEMBLY
EXPRESSCARD/54 MODULE CARD KIT

dwg no 10030582
customer sheet 5 of 5

Rev. H

REV F - 2006-04-17

1

2

3 PDM: Rev:J

STATUS:Released

4 Printed: Jan 22, 2008



Copyright FCI.